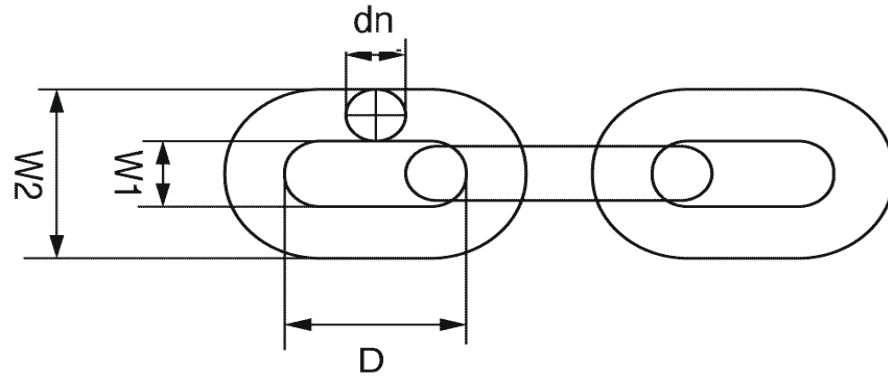


Cobra Grade 8 Chain Sling Specifications

Grade 8 Chain

Product Code	dn	W.L.L.	M.P.F.	M.B.F.	Bend Deflection	dn	D	W1	W2	Weld Dia	Weight	Min Packing Qty
	mm	t	kN	kN (min)	mm min (F)	mm	mm	mm	mm	mm	kgs/mtr	mtr
G8CB6	6	1.12	28.3	45.2	4.8	6	18	7.8	22.2	6.6	0.8	500
G8CB7	7	1.5	38.5	61.6	5.6	7	21	9.1	25.9	7.7	1.1	500
G8CB8	8	2	50.3	80.4	6.4	8	24	10.4	29.6	8.8	1.4	400
G8CB10	10	3.15	78.5	126	8	10	30	13	37	11	2.2	300
G8CB13	13	5.3	133	212	10	13	39	16.9	48.1	14.3	3.8	150
G8CB16	16	8	201	322	13	16	48	20.8	59.2	17.6	5.7	100
G8CB20	20	12.5	314	503	16	20	60	26	74	22	9	75
G8CB22	22	15	380	608	18	22	66	28.6	81.4	24.2	10.9	50
G8CB26	26	21.2	531	849	21	26	78	33.8	96.2	28.6	15.2	50
G8CB32	32	31.5	804	1290	26	32	96	41.6	118	35.2	24.1	50

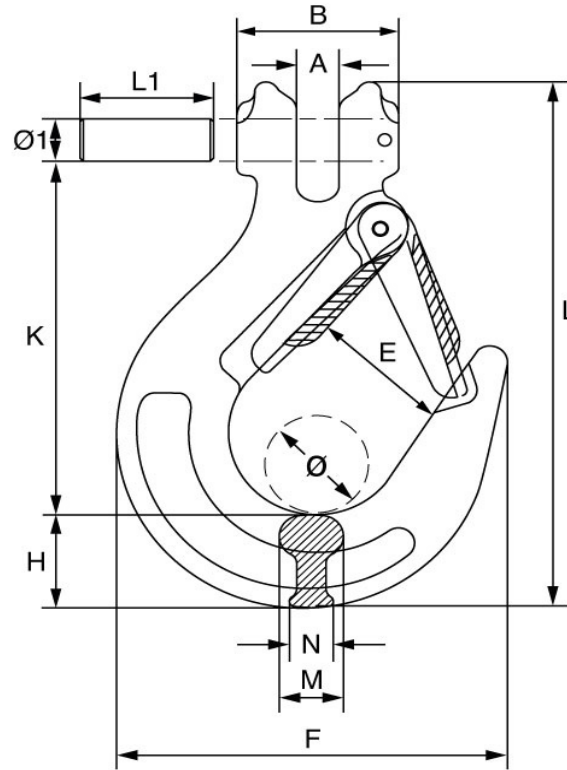


Clevis Sling Hook

Product Code	Chain Dia	W.L.L.	M.P.F.	M.B.F.	Weight	A	B	E	F	H	K	L	M	N	Ø	Ø1	L1
	mm	t	kN	kN	kgs	mm	mm	mm	mm	mm	mm	mm	mm	mm	mm	mm	mm
CG8CSH6	6	1.12	27.5	43.9	0.33	8	31.6	23.5	76.5	19.8	75.3	110	14	10	20	7.6	22
CG8CSH8	7/8	2	49	78.5	0.53	9.5	36.6	22	84	25	86	128	18	12	25	9	26.5
CG8CSH10	10	3.15	77.2	124	0.98	12.5	49	30	103	31	104	158	23	16	30	12.7	37
CG8CSH13	13	5.3	130	208	1.81	16.5	56.5	37.5	132	42.5	128	198.3	27.5	15	35	16	38.5
CG8CSH16	16	8	196	314	3.54	21.5	70.5	46.5	160	54	148	234	35	24	47.5	19.7	52.5
CG8CSH20	20	12.5	306	490	5.82	24	77	55	186	58	176	274	42	32	59	24	60.5
CG8CSH22	22	15	368	588	9.17	25	91	66	228	62	213	320	50	36	64	26	70
CG8CSH26	26	21.2	520	832	14.97	30	117	85	257	75	251.6	389	60	34	78	33	87.5
CG8CSH32	32	31.5	772	1240	27	35	150	103	318	88	317	480	66	42	100	40.7	108.5



Clevis Sling Hook

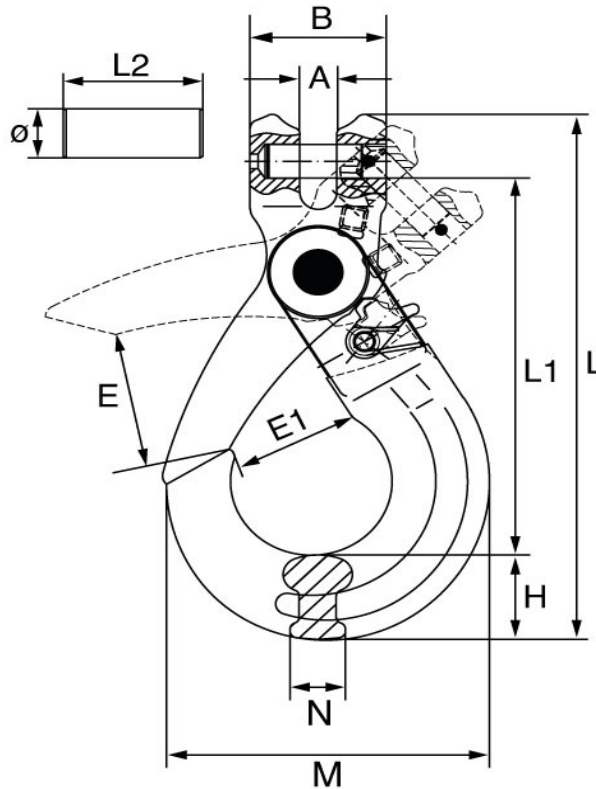


Clevis Self Locking Hook

Product Code	Chain Dia	W.L.L.	M.P.F.	M.B.F.	Weight	Chain Dia	A	B	C	E	H	L	L1	M	N	Ø	L2
	mm	t	kN	kN	kgs	mm	mm	mm	mm	mm	mm	mm	mm	mm	mm	mm	mm
CG8CSLH6	6	1.12	27.44	43.9	0.45	6	8	32	32	28	20	134	99	73	15	7.6	22
CG8CSLH8	7/8	2	49	78.4	0.85	7/8	9.5	38.5	40	35	26	162	119	91	20	9	26.5
CG8CSLH10	10	3.15	77.2	123.5	1.48	10	12.5	46	48	45	30	195	142	108	26	13	32.5
CG8CSLH13	13	5.3	130	208	2.85	13	15	59	57	52.5	40	248	179	142	33	16	41
CG8CSLH16	16	8	196	314	6	16	18.5	77	65	63	50.5	310	225	168.6	38	20	52.5
CG8CSLH20	20	12.5	306	490	7.5	20	24	81	82	82	55	335	238	185	50	24	60.5
CG8CSLH22	22	15	367.5	588	12.3	22	25	97.5	80	76	67	392	277	202	52	28	75
CG8CSLH26	26	21.2	519.4	831	21.8	26	30	118	109	96	75	449	312	239	60	33	87.5
CG8CSLH32	32	31.5	772	1235	46	32	35	150	131	131	97	590	416	329	79.5	40.7	108.5



Clevis Self Locking Hook

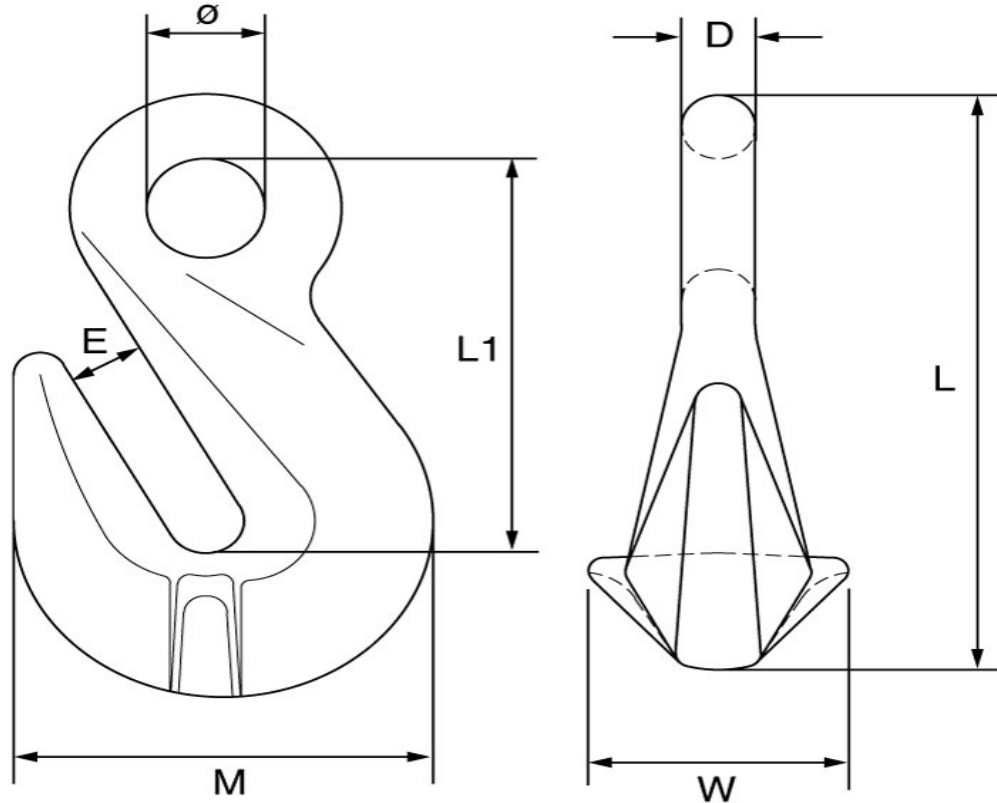


Eye Type Grab Hook

Product Code	Chain Dia	W.L.L.	M.P.F.	M.B.F.	Weight	Chain Dia	D	E	L	L1	M	W	Ø
	mm	t	kN	kN	kgs	mm	mm	mm	mm	mm	mm	mm	mm
CG8EGH6	6	1.12	27.5	43.9	0.14	6	8	8	73	47	45.5	21.5	14.5
CG8EGH8	7/8	2	49	78.5	0.245	7/8	9.5	11	93	61.5	53	30.5	17.5
CG8EGH10	10	3.15	77.2	124	0.65	10	13	13	122	80	71	46	20.5
CG8EGH13	13	5.3	130	208	1.39	13	15.5	16.5	158	99.7	96	57.5	26
CG8EGH16	16	8	196	314	2.2	16	19	19	169	106.5	113	72	30.5
CG8EGH20	20	12.5	306	490	4.6	20	23	24	219	140	143	74	37.5
CG8EGH22	22	15	368	588	8.2	22	26	28	259	165	160	90	44
CG8EGH26	26	21.2	520	832	9.8	26	34	30	306	197	171	110	49
CG8EGH32	32	31.5	772	1240	19.4	32	40	41	373	246	229	130	64



Eye Grab Hook

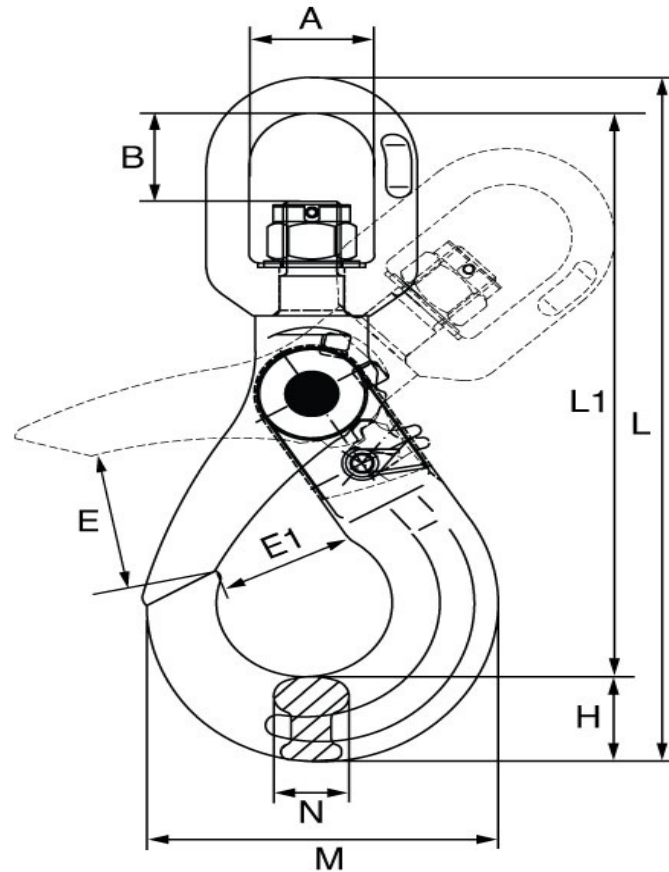


Swivel Self Locking Hook

Product Code	Chain Dia	W.L.L.	M.P.F.	M.B.F.	Weight	A	B	E	E1	H	L	L1	M	N
	mm	t	kN	kN	kgs	mm	mm	mm	mm	mm	mm	mm	mm	mm
CG8SSLH6	6	1.12	27.44	43.9	0.7	32.5	25.5	32	28	20	184	152	73	15
CG8SSLH8	7/8	2	49	78.4	1.21	36	29.5	40	35	26	228	189	91	20
CG8SSLH10	10	3.15	77.2	123.5	1.98	42	39	48	45	30	268	223	108	26
CG8SSLH13	13	5.3	130	208	3.59	50	41	57	52.5	40	323	267	14	33
CG8SSLH16	16	8	196	314	7.27	61	58	65	63	50.5	411	339	168.6	38
CG8SSLH20	20	12.5	306	490	10.74	72	63	82	82	55	452	370	185	50
CG8SSLH22	22	15	367.5	588	17.5	97	98	80	76	67	564	466	202	52
CG8SSLH26	26	21.2	519.4	831	23	123	115	109	96	75	661	544	239	60
CG8SSLH32	32	31.5	772	1235	65	140	147	131	131	97	830	679	329	79.5



Swivel Self Locking Hook



Clevis C Hook

Product Code	Chain	W.L.L.	M.P.F.	M.B.F.	Weight	A	B	E	H	K	L	N	Ø1	L1
	Dia													
CG8CCH8	7/8	2	49	78.4	0.48	9.5	35	20	28	90	136	21.5	9	25
CG8CCH10	10	3.15	77.2	123.5	0.89	13	46	26.5	39.5	127	189	28	13	32.5
CG8CCH13	13	5.3	130	208	1.51	16.8	59	36	52	166.5	246	36.5	16	42
CG8CCH16	16	8	196	314	2.62	18.5	72	44.6	59	206	298	42	19.7	52.5



Clevis C Hook

