

Standard Shackle Load Cell

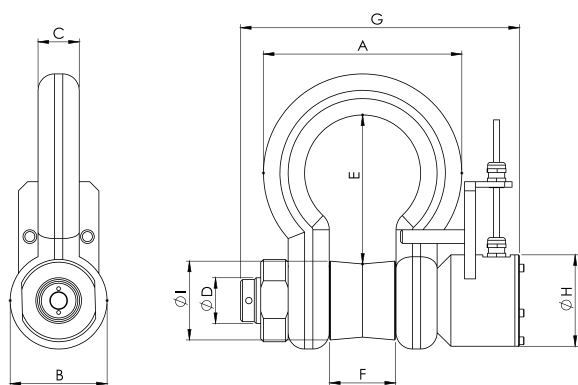
SS-3.0

The DLM Standard Shackle Load Cell is a high strength marine grade cable connected Load Cell. Manufactured from industry leading Crosby or GN Shackles along with a stainless steel load pin.

The DLM Standard Shackle Load Cell offers a robust and “easy to use” tension monitoring solution for various applications. It is supplied with 10m of tough PUR signal cable as standard and can be combined with either a TW-3.0-S Cable Handheld Display or custom display to show the load.



Dimensional Data



Features:

- Rugged design
- Stainless steel construction
- Low headroom when rigged
- Multiple output options (mV/V, 4-20mA, 0-10V, RS485 ASCII, RS485 MODBUS)
- Supplied with load centering bobbin

Applications:

- Umbilical Load Monitoring
- Under hook crane weighing
- Cable tension monitoring
- Heavy lift
- Bollard pull and certification

Load Capacity (Tonnes)	Part Number	Shackles	A	B	C	D	E	F	G	H	I	Proof Load (Tonnes)	Accuracy (% FRO)	Resolution (kg)
6.5	0001 – 1340	Crosby G2130 102	75	22	22	72	36.6	175	75	53	9.75	<±1	1	
12	0001 – 1341	Crosby G2130 146	76	31.8	35	107	51.5	235	100	60	18	<±1	5	
25	0001 – 1342	Crosby G2130 225	106	44.5	50	162	73	300	100	86	37.5	<±1	10	
55	0001 – 1343	Crosby G2130 327	145	66.5	70	246	105	385	100	114	82.5	<±1	50	
85	0001 – 1344	GN H9	365	165	76	82	308	127	444	110	130	127.5	±1	100
120	0001 – 1345	GN H10	416	200	89	95	347	150	493	110	150	180	±1	100
200	0001 – 1346	GN H10	530	260	120	125	450	180	600	140	235	300	±1	100
300	0001 – 1347	GN H10	565	305	130	150	534	200	640	150	287	350	±1	100
400	0001 – 1348	GN H10	655	350	165	175	600	230	720	185	345	600	±1	100
500	0001 – 1349	GN H10	710	370	180	185	610	255	780	200	375	750	±1	100

Specification

Pin Material: 17-4PH H1150+1150 stainless steel

Bridge Resistance: 350Ω

Operating Temperature: -20°C to +60°C

Display: TW-3.0-S Cable Handheld Display

Signal Cable: 10m of PUR screened signal cable as standard

Protection: IP66 with mil spec connector / IP67 with cable gland

Calibration: Supplied with calibration, proof load and test certificates to traceable to UKCA BS EN ISO 7500-1 2018

Packaging: Wooden stowage case