

Telemetry Shackle Load Cell TS-3.0

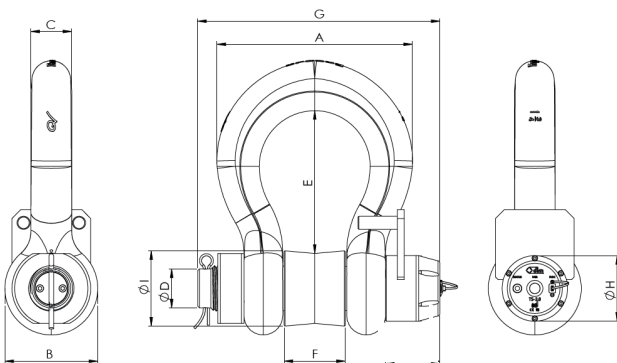
The DLM Telemetry Shackle is a high strength marine grade wireless Load Cell.

Manufactured from industry leading Crosby and GN shackles along with a stainless steel load pin, the DLM Telemetry Shackle offers reduction in weighing headroom with the flexibility of 2.4GHz licence free wireless load transmission.

The DLM Telemetry Shackle can be used with one or multiple TW-3.0-T Handheld Displays showing the load.



Dimensional Data



Features:

- Rugged design
- Ability to transmit to multiple hand held displays
- 2.4GHz license free frequency
- 800m range (line of sight)
- Stainless steel construction
- Low headroom when rigged
- Supplied with load centering bobbin
- Remote power on/off feature
- Sleep mode for battery conservation

Load Capacity (Tonnes)	Part Number	Shackle	A	ØB	C	ØD	E	F	G	ØH	ØI	Proof Load	Accuracy (%FRO)	Resolution (kg)
6.5	0001-1350	G2130	102	53	22	25	72	35	175	75	53	150%	<±1	1
12	0001-1351	G2130	146	76	33	35	108	49	212	75	60	150%	<±1	2
25	0001-1352	G2130	224	106	47	52	163	70	277	75	86	150%	<±1	5
55	0001-1353	GN H9	324	148	66	70	249	100	362	110	114	150%	<±1	10
85	0001-1354	GN H10	340	165	75	83	311	120	409	110	130	150%	<±1	10
120	0001-1355	GN H10	416	200	89	80	358	150	460	110	150	150%	<±1	50
200	0001-1356	GN H10	530	260	120	90	448	180	562	110	235	150%	<±1	100
300	0001-1357	GN H10	565	305	130	120	541	205	612	110	287	150%	<±1	100
400	0001-1358	GN H10	655	350	165	120	603	230	707	110	345	150%	<±1	100
500	0001-1359	GN H10	710	370	180	160	623	255	740	110	375	150%	<±1	100

Specification

Pin Material:	17-4PH H1150+1150 Stainless Steel
Bridge Resistance:	700Ω
Operating Temperature:	-20°C to +60°C
Display:	TW3.0-T Telemetry Handheld Display
Transmission Frequency:	2.4GHz
Range:	Up to 800m range (line of sight)
Battery Type:	1 x3.7V Li-Po rechargeable
Battery Life:	350 Hours (2 years non-operational)
Battery Charger:	Supplied with USB Charger
Protection:	IP67
Calibration:	Supplied with calibration, proof load and test certificates to traceable to UKCA BS EN ISO 7500-1 2018
Packaging:	Wooden Storage Case
Approvals:	UKCA, CE, FCC and IC tested and compliant